

CARE PUMP



user manual

MOVE8

Lymph Drainage Therapy Device
(Pressotherapy Device)

UM_EN_CPMOVE8_03

Table of contents

1. Safety warnings	4	4. Installation and starting the device	12
1.1. Energy security	5	4.1. How to connect the power supply and charge the battery	13
1.2. Possibility of injuries	5	4.2. How to connect the air ducts	15
1.3. Safe use and maintenance	6	5. Basic device configuration	17
1.4. Correct use of the cuffs	6	5.1. Main screen	17
2. Basic characteristic of the device	7	5.2. Work mode setting	17
2.1. CarePump pressotherapy devices	7	5.3. Interval/Hold function	18
2.2. Pressotherapy (lymphatic drainage massage) and its function	8	5.4. Pressure level	19
2.3. Indications for pressotherapy	9	5.5. Treatment time	20
2.4. Contraindications to pressotherapy	10	5.6. Speed of filling the chamber	20
3. User manual	11	5.7. Particular chamber selection	21
3.1. CarePump Move8 device – front view	11	5.8. Pressure gradient	22
3.2. CarePump Move8 device – back view	11	5.9. Settings	23
3.3. CarePump Move8 device – bottom view	11	5.10. How to start/pause/stop the treatment	26
		5.11. Provided programs	27
		1. Warm-up, prevention	27
		2. Regeneration, wellness	28

3. Post-injury therapy	29
4. Oedema therapy	30
5. All-chamber massage	31
6. Mixed mode	32
5.12. Mixed mode	33
6. Technical parameters	35
7. Contents of the package	36
8. Additional accessories	37
9. Warnings	38
10. Troubleshooting	39
11. Maintenance and storage	40
12. Utilization	42

1. **Safety warnings**

Before starting work with the device, please read the following manual. It is recommended to use the device after consulting a doctor.

CarePump series of devices has been designed in compliance with all safety standards and norms that allow them to be used. Please read the following chapter carefully, because it will allow you for safe and hygienic use of the device in accordance with its intended purpose.

Attention!

The equipment can be used by children at least 8 years old and by people with reduced physical and mental abilities and people with inexperience and knowledge of the equipment, if supervision or instruction on the use of the equipment in a safe manner is provided so that the risks associated with it are understandable. Children should not play with the equipment. Children without supervision should not clean and maintain the equipment.

1.1. Energy security

CarePump mobile devices have integrated battery that should be charged only by certificated power supply, delivered by the manufacturer. The power supply is dedicated to the mains voltage in the range of 100-240V 50/60Hz. Before connecting the device, make sure that the parameters of the main electricity are consistent with the data provided on the rating plate located on the power supply. The manufacturer recommends connecting the devices to an installation equipped with a residual current device. This will reduce the risk of shock, fire, permanent injury or damage of the product. In case of problems with the power supply, malfunctioning of the device, sparking or a burning smell emanating from the machine, immediately disconnect the power supply by pulling it out of the wall socket. It is forbidden to leave the device switched on or with the power supply connected to the wall socket without the operator's supervision. In case of atmospheric discharges and storms, the power supply should be immediately disconnected from the main current. When disconnecting the power supply from the mains, pull it by the housing.

Be sure to disconnect the device and operate it with dry hands.

1.2. Possibility of injuries

It is forbidden to use the device on patients:

- ▶ with an implanted artificial heart and other heart prostheses,
- ▶ with metal or joint implants, as the procedure may cause inflammation or chronic pain around them,
- ▶ with heart disease,
- ▶ with decompensated blood pressure,
- ▶ with skin diseases and its inflammations,
- ▶ with a fever,
- ▶ with neoplastic disease,
- ▶ with vascular diseases,
- ▶ with acute dermatitis and festering wounds,
- ▶ deep vein inflammation and venous thrombosis,
- ▶ after surgical operations until full recovery,
- ▶ with diseases of the nervous system and brain,
- ▶ pregnant,
- ▶ extremely tired,
- ▶ under the influence of alcohol and other stimulants,
- ▶ with diseases that give the feeling of constant fatigue.

1.3. **Safe use and maintenance**

The device's operating environment should meet the following conditions. Non-compliance with them may result in personal injury or permanent damage of the device.

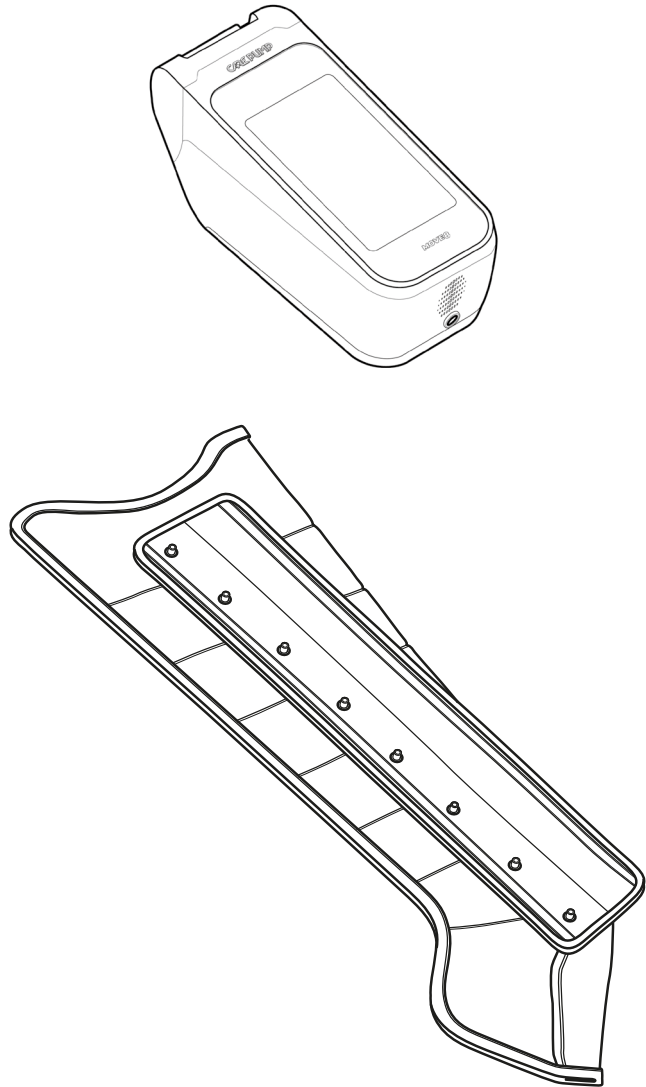
Working conditions

- ▶ closed room or environment enabling protection of the device against weather conditions,
- ▶ ambient temperature 10°C-40°C,
- ▶ ambient humidity 30-60%,
- ▶ the power supply directly from built-in battery 21VDC/3500mAh,
- ▶ the mains voltage for the power supply is 100-240V 50/60Hz, supervised by technical services,
- ▶ the distance from other electromagnetic receivers/transmitters should be min. 1,5 m,
- ▶ the distance from devices emitting heat should be min. 3 m,
- ▶ the distance from other electrical devices should be min. 1,5 m,
- ▶ the floor should be made of non-conductive materials,
- ▶ the ground on which the device is located should be stable, made of non-conductive and non-slip materials,
- ▶ the device should not be exposed to direct sunlight.

1.4. **Correct use of the cuffs**

Safe use of the device cuffs contains the following principles:

- ▶ Before putting on the cuffs, remove your watch, jewelry and empty the pockets to avoid any injury to the body or damage of the cuff.
- ▶ Do not place the cuffs directly on the body.
- ▶ The cuffs should be placed on thin, non-pressing clothing.
- ▶ Do not store cuffs near sharp objects or in wet, sunny and hot places.
- ▶ Do not expose the cuffs to staining with oil, gasoline, alcohol, corrosive chemicals.



2. **Basic characteristic of the device**

2.1. **CarePump pressotherapy devices**

CarePump is a series of pressotherapy devices designed and manufactured as a result of many years of experience and research conducted by physiotherapy masters. Consultations with our clients regarding necessary functions, exploitation and comfort of use allowed us to create a diversified line of devices adjusted to the needs of medical staff, patients, athletes and all other users.

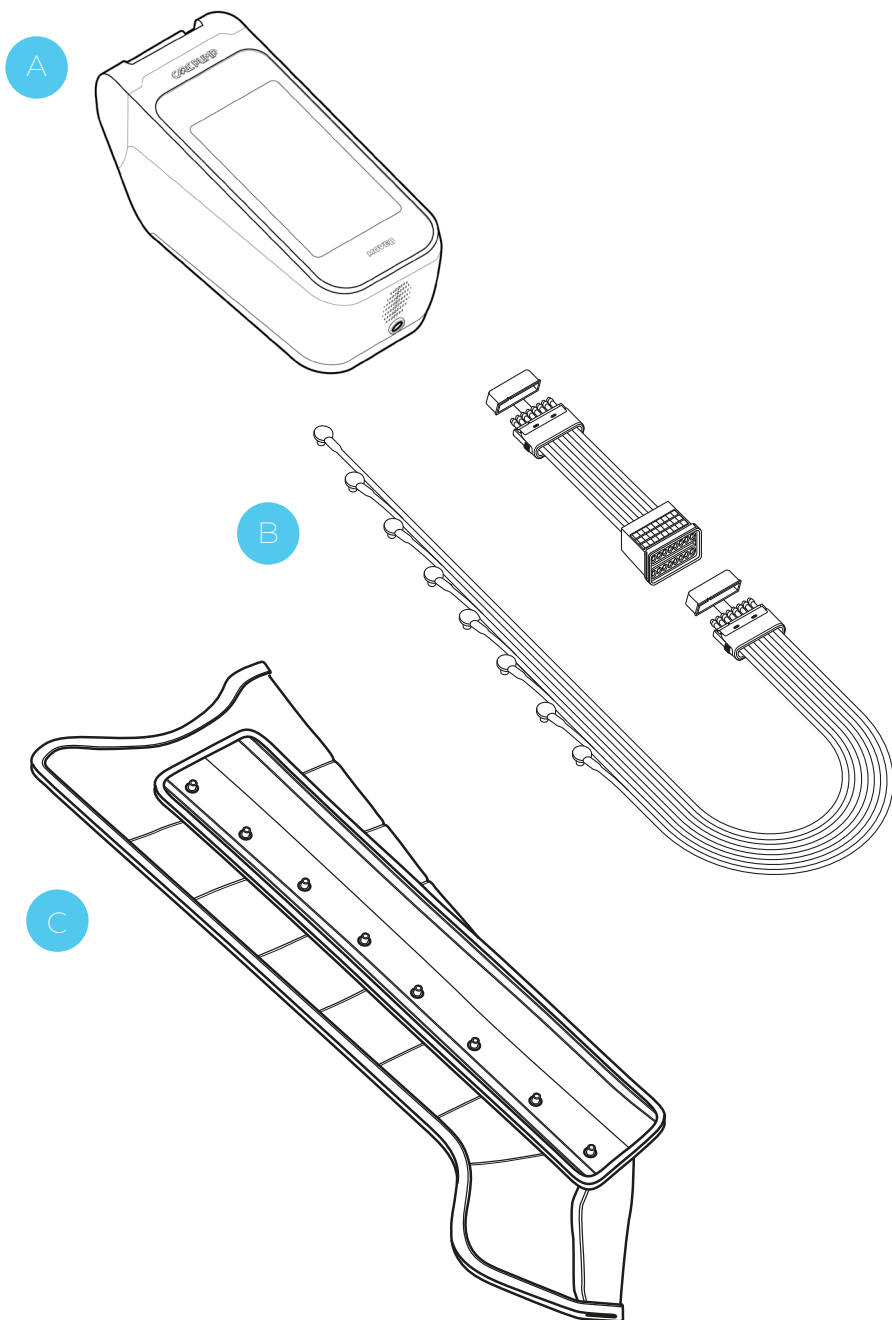
CarePump devices are used for regeneration, relaxation and improving your well-being. The device works very similar to manual massage, which can be performed on your own body. This is executed on the principle of a pressure massage. Massage is performed by air-filled chambers placed in the cuffs, to which air is supplied through a system of flexible pipes from the central unit containing the compressor. Each cuff contains a plurality of independent chambers, which are sequentially inflated according to selected program.

The basic set that allows you to perform the treatment with CarePump device includes:

- A** **Central unit (device)** – used to set parameters such as: program, time, speed of pumping the chambers in the cuffs or pressure.
- B** **Air ducts** – used to supply air through independent channels to the individual cuff chambers. They connect the device with the cuffs.
- C** **Cuffs** – used on individual parts of the body (arms, legs, etc.). By sequential inflation of the cuff chambers, a part of the body (where the cuff is placed) is being compressed to allow achieving a massage effect.

2.2. **Pressotherapy (lymphatic drainage massage) and its function**

Pressotherapy consists of sequential and directional pressure on a part of the body, where dedicated cuff is placed. The air-filled cuff chamber (by pneumatic compression) induces a mechanical massage effect. Particular chambers fill



in with air in specified time and accordingly to programmed cycle. This causes a sequential pressure effect which turns into a rhythmic wave. Lymphatic drainage massage is positively perceived as a very pleasant and effective way to regenerate and relax. The patient feels relief in the areas covered by the massage.

During this type of massage, similar physiological processes take place as in manual massage. It mainly stimulates the activity of the body, restores and stimulates its functioning, improves the flow and accelerates the exchange of fluids in the system. The benefits are also the same as in classic manual massage:

- ▶ regeneration,
- ▶ relaxation,
- ▶ improved well-being,
- ▶ improved skin elasticity,
- ▶ preventive healthcare.

Possible side effects of pressotherapy include:

- ▶ short-term pain exacerbation,
- ▶ petechiae,
- ▶ hematomas and bruises.

2.3. **Indications for pressotherapy**

It is recommended to perform pressotherapy every day. Work mode, time of the treatment and drainage / massage pressure depend on the individual preferences and possibilities, the aim of the treatment and applied prevention.

- ▶ increase the body's resistance,
- ▶ stimulation of metabolism and restoration of its function,
- ▶ prevention and treatment of overweight and obesity,
- ▶ reduction of swelling,
- ▶ improving regeneration of tired and sore muscles,
- ▶ exudates,
- ▶ cellulite,
- ▶ heavy legs
- ▶ and others the same as in classic manual massage.

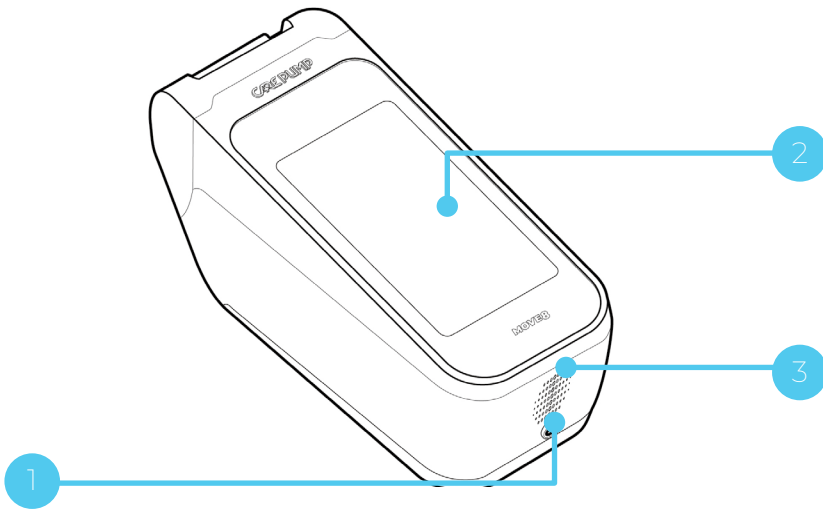
2.4. **Contraindications to pressotherapy**

- ▶ pain or numbness of unknown origin,
- ▶ severe atherosclerosis or ischemia,
- ▶ vascular diseases are a relative contraindication to pressotherapy,
- ▶ pregnancy,
- ▶ hypertension,
- ▶ pacemaker,
- ▶ thrombophlebitis,
- ▶ skin diseases, moles,
- ▶ lymphangitis,
- ▶ dermatitis, wounds,
- ▶ arthritis,
- ▶ high body temperature,
- ▶ thick, external, visible varicose veins,
- ▶ cardiac rhythm disturbances (arrhythmia),
- ▶ blood pressure disorders,
- ▶ myocardial ischemia,
- ▶ asthma,
- ▶ tumors, infiltrates, neoplasms,
- ▶ cardiac and respiratory failure,
- ▶ kidney failure
- ▶ and others the same as in classic manual massage.

3. User manual

It is absolutely necessary to read following user manual before starting work with the device.

3.1. CarePump Move8 device - front view

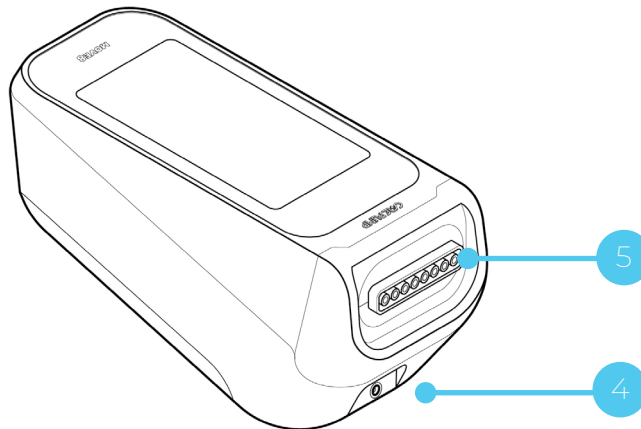


1 main power switch

2 touch screen display

3 holes of cooling fans

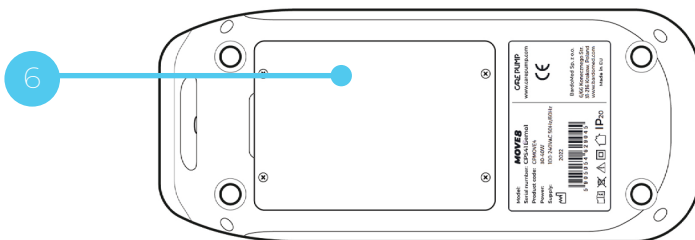
3.2. CarePump Move8 device - back view



4 power cord input

5 input to connect the air ducts

3.3. CarePump Move8 device - bottom view

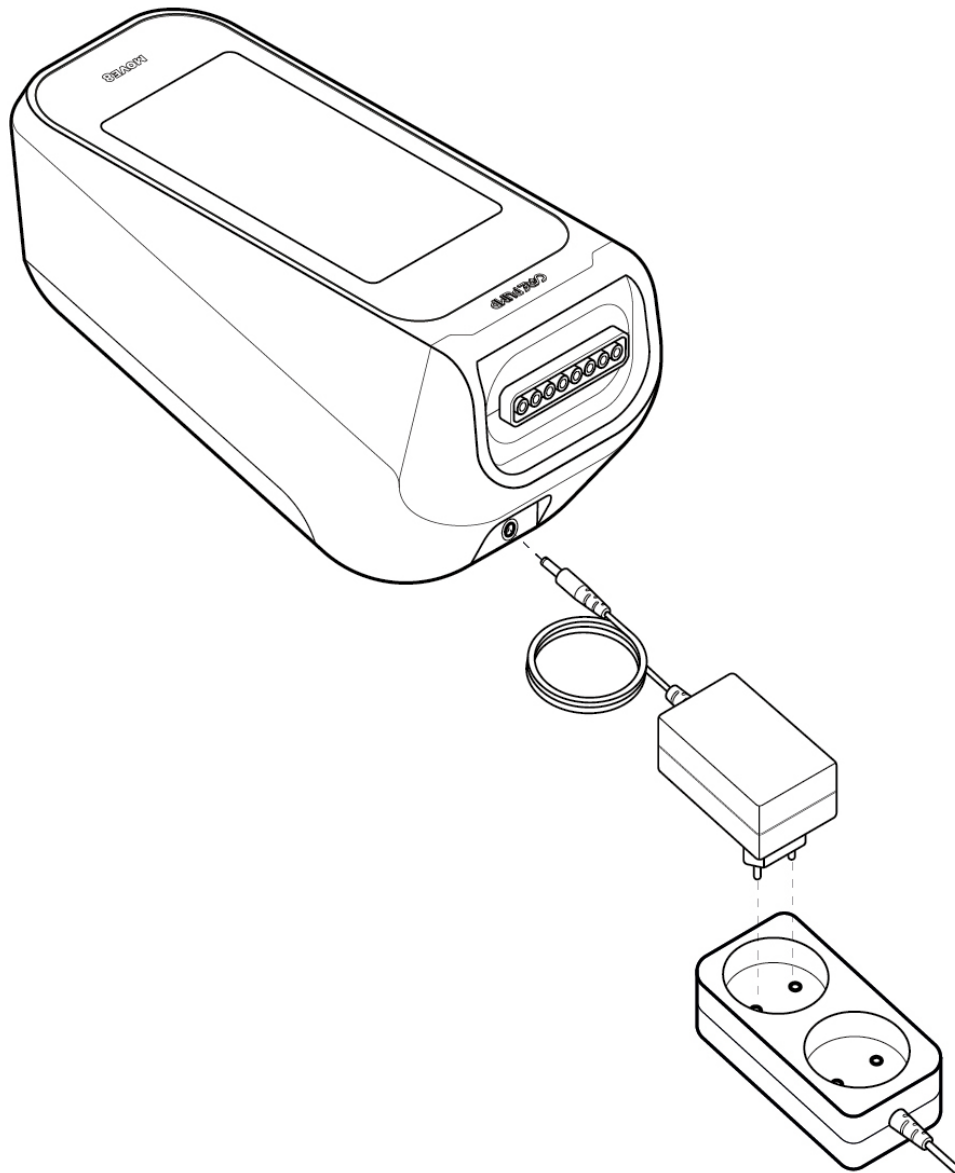


6 hatch of the battery slot

4. **Installation and starting the device**

Before starting the device, check the completeness of the set and make sure if it has no defects or mechanical damage. In case of any noticed damage, contact the distributor or manufacturer of the device. Do not proceed with the installation and starting the machine if the packaging is damaged. Unpack the device and place it on a stable surface adequate for its weight. Remember not to place the device too close to the wall, because the holes of cooling fans are located on the front of the case. Do not place on or near the device other electrical devices that may generate electromagnetic field or high temperature and objects containing water or other liquids.

When the device is delivered in autumn or winter months, when the ambient temperature is below 10°C, wait about 2 hours before starting the device to equilibrate the temperature of the room and the device. The condensation of water vapor may cause an electric shock or fire.



4.1. **How to connect the power supply and charge the battery**

Connect the power cord into the input on the back of the device. The cable should be fully inserted, please make sure it is firmly connected. Plug the other end of the cord into a power socket.

Power supply and charging modes

The CarePump Move8 allows to work on three different power supply modes. The modes activate automatically, due to used functions and the power supply connection:

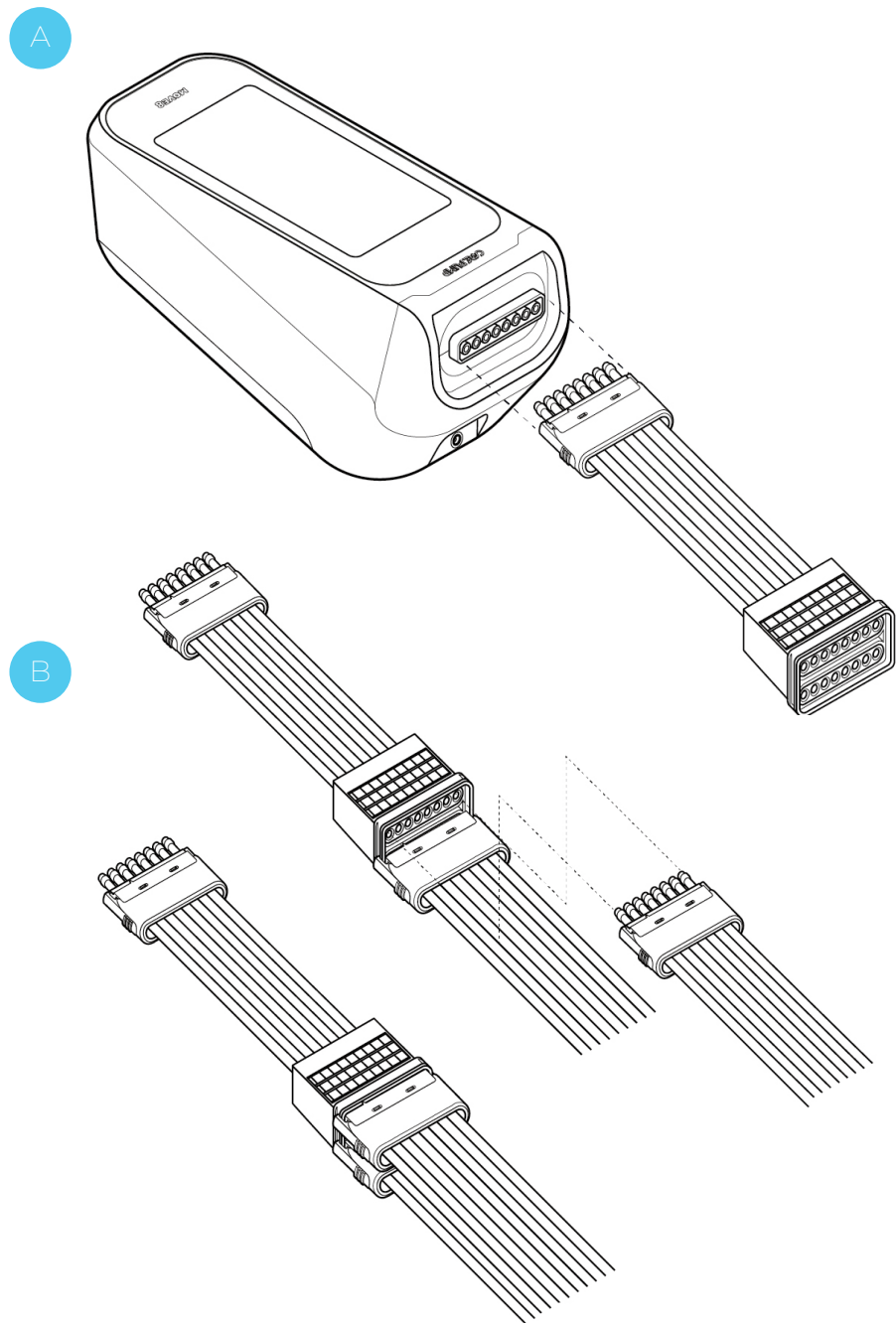
- ▶ **Mobile mode** – the device operates on battery power until it is fully discharged. When the battery charge level is below 15%, the device will display a proper information. When the battery is fully discharged, the device will turn off.
- ▶ **Full charging mode** – the device remains turned off and connected to the mains current. The charging process is signaled by a blue, flashing LED ring of the power button. When charging is complete, the LED ring will stop flashing and turn off.
- ▶ **Passive charging mode** – the device remains turned on and connected to the mains current using the power supply. The treatment is not being performed.

The charging progress is signaled by a blue, flashing LED ring of the power button. When charging is complete, the LED ring will stop flashing but remain on.



Attention!

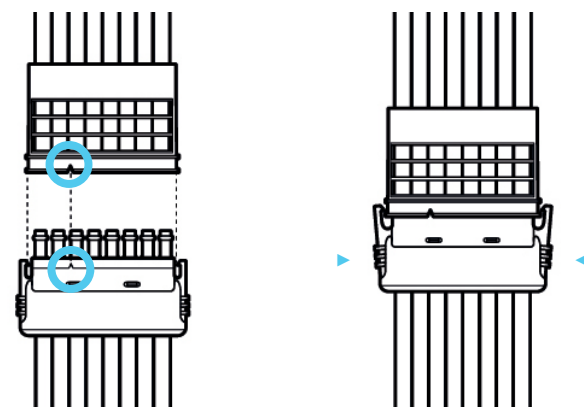
- ▶ Only the power supply provided by the manufacturer should be used.
- ▶ Before charging the device, make sure that the voltage in the installation is 100-240V 50/60Hz.
- ▶ If the cable is mechanically damaged, replace it with another one.
- ▶ Do not place the machine close to the wall, because the power supply socket is located on the back of the case.
- ▶ The charging device should not be left unsupervised.
- ▶ Before the first use of the device, battery should be fully charged by the user.

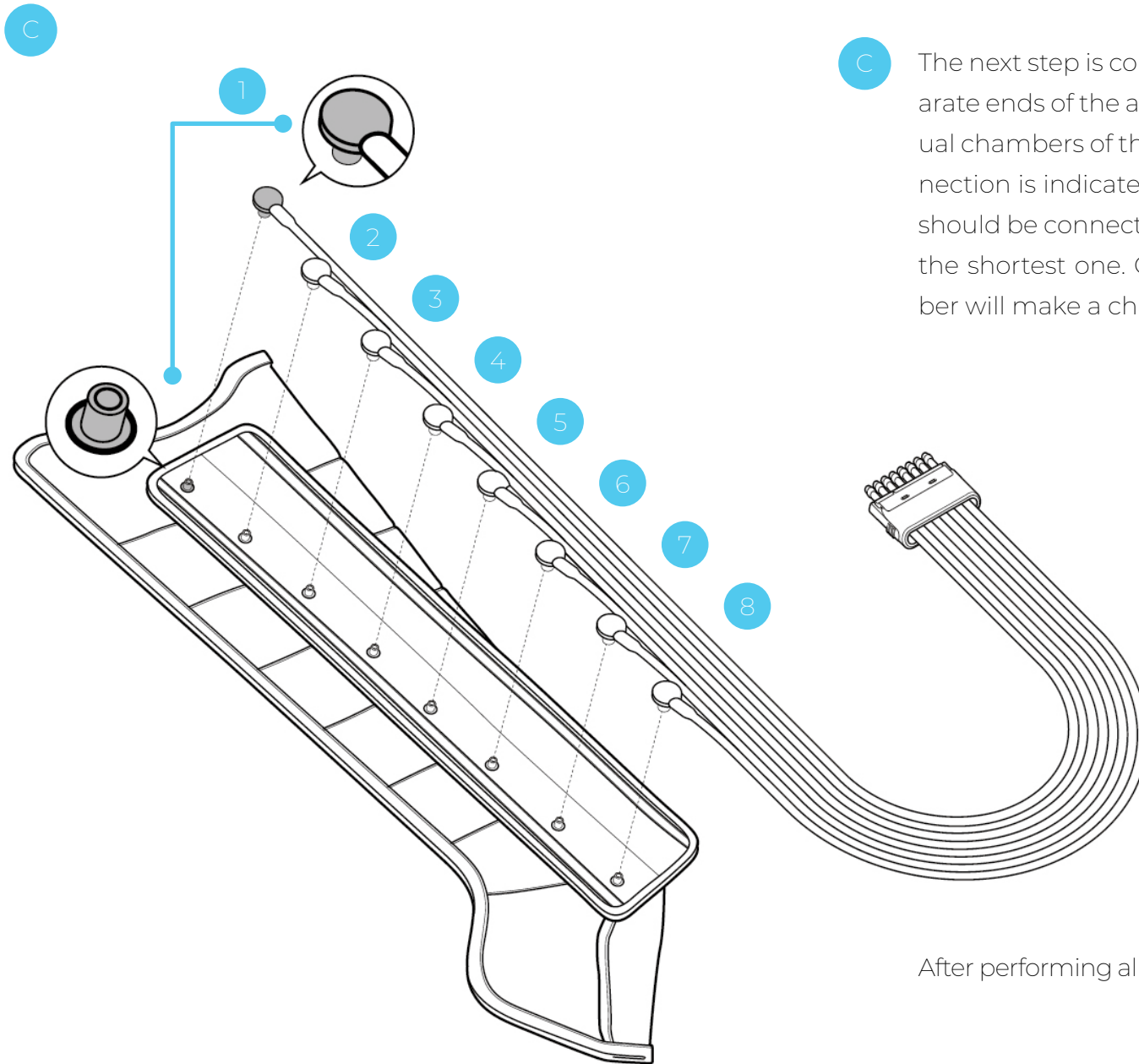


4.2. How to connect the air ducts

- A Connect the plug of a single air duct or the air duct splitter (in case you need to connect two cuffs at the same time) to the input located on the back of the case. When connecting the air duct or the splitter, pay attention to the notch which indicates proper connection of them.
- B To connect the air duct, push it into the correct input until you hear a click of both side buttons. To disconnect the air duct, press buttons on both sides of the plug at the same time.

When connecting two single air ducts to the splitter, pay attention to the notch which indicates proper connection of them.

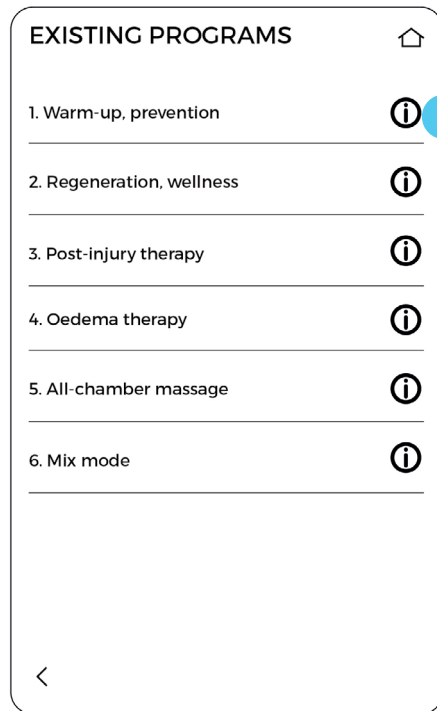
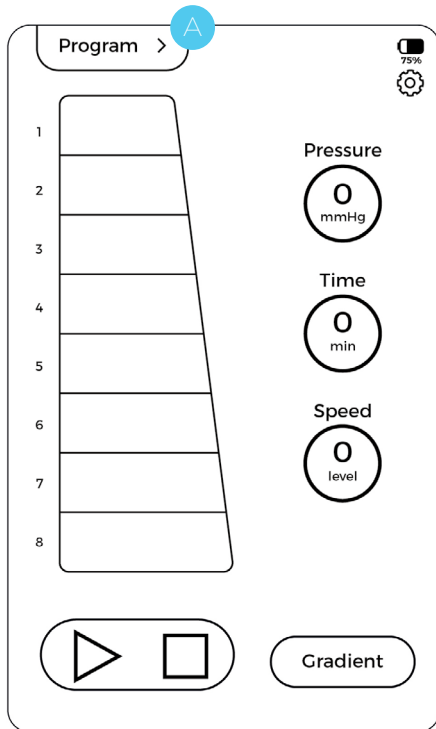




C The next step is connecting the air duct to the cuff. The separate ends of the air duct should be clipped into the individual chambers of the cuff with correct order. The proper connection is indicated by a dark gray plug. The separate ends should be connected in following order: from the longest to the shortest one. Correctly plugged end in the cuff chamber will make a characteristic click.

After performing all the above steps, the device is ready for use.

5. Basic device configuration



5.1. Main screen

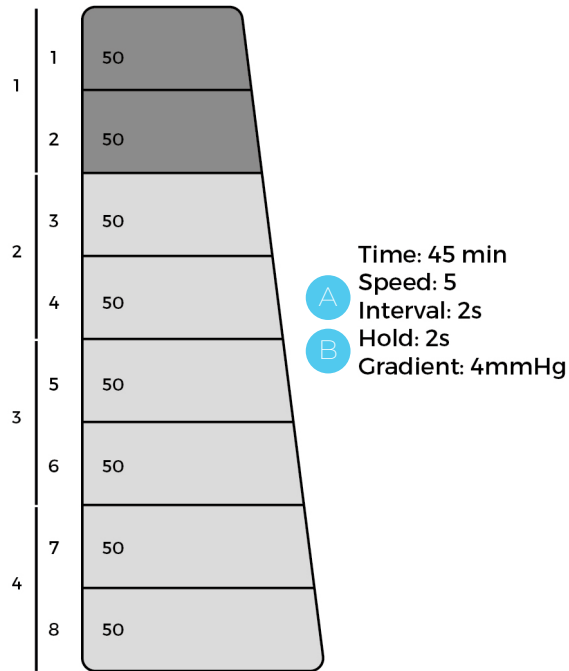
To start the device, press the power button in the lower part of the case. The blue diode will light up when the button is pushed. The device will start up and CarePump logo will appear on the display. Then the main screen view will appear, where you can set basic treatment options.

5.2. Work mode setting

Press the icon “Program” **A** in the upper left corner of the display. Then following screen will appear, where you can select a therapeutic pre-program.

To select one of the six defined programs, press the name of the selected program in the list. To get more information about a given program (the way of filling the chambers, time, speed, interval, hold, gradient parameters), select the “i” **C** symbol.

2. Regeneration, wellness



Treatment process:

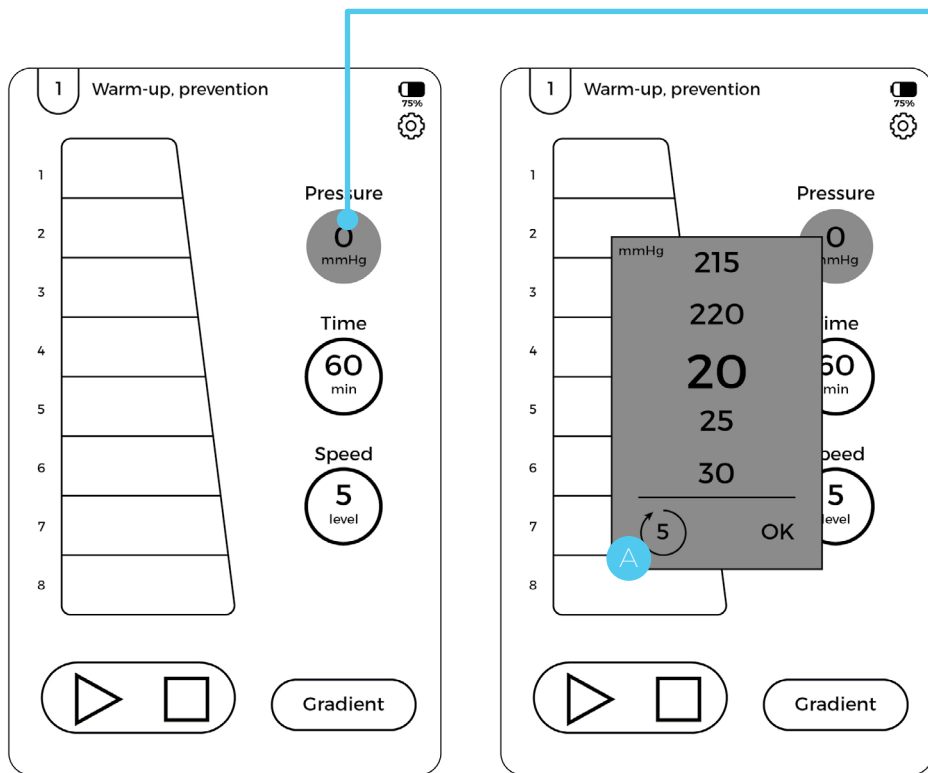
Double ascending wave. First and second are chambers inflating. During pumping the third and fourth chamber, previous two are holding the pressure. During pumping fifth and sixth chambers, first and second chambers are deflating. Sequence repeats till the end of cycle. Two chambers are always inflated.

5.3. Interval/Hold function

The parameter „Interval” **A** defines the time between subsequent cycles of filling the chambers.

The parameter „Hold” **B** determines the time of keeping the maximum set pressure by the chambers.

Both parameters are defined for therapeutic pre-programs and cannot be edited.



5.4. Pressure level

To select the pressure level, press the circular area with a number in it, named **“Pressure”**.

After clicking on the icon, a scrolling list with a pressure range of 20-220 mmHg will be displayed on the screen. Values on the list can be displayed with an accuracy of 1, 5 and 10. You can decide on the accuracy of the displayed values by clicking on the rounded arrow icon in the lower left corner of the frame **A**.

Once the required pressure value is highlighted, confirm it by pressing “OK” button.

Attention!

Pressure as a parameter is not defined for provided programs. It should be adapted to the needs of each patient, based on the patient’s blood pressure and his feelings during the treatment.

5.5. Treatment time

A To set the treatment time, press the circular area with a number in it, named **“Time”**. After clicking on the icon, a scrolling list with values 1-120 minutes will be displayed on the screen. Values on the list can be displayed with an accuracy of 1, 5 and 10. You can decide on the accuracy of the displayed values by clicking on the rounded arrow icon in the lower left corner of the frame.

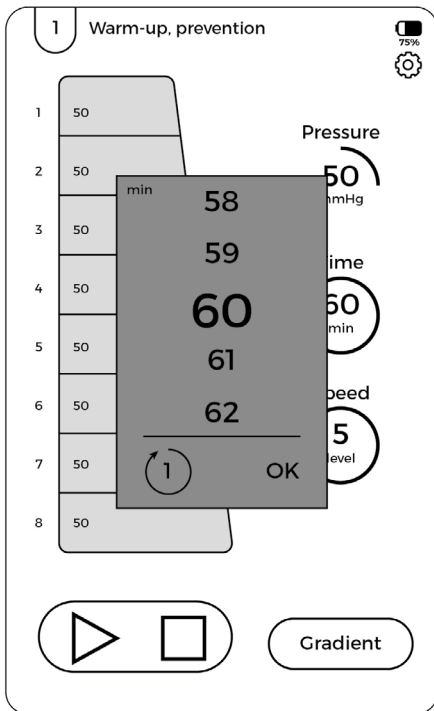
Once the required treatment time value is highlighted, confirm it by pressing “OK” button.

5.6. Speed of filling the chamber

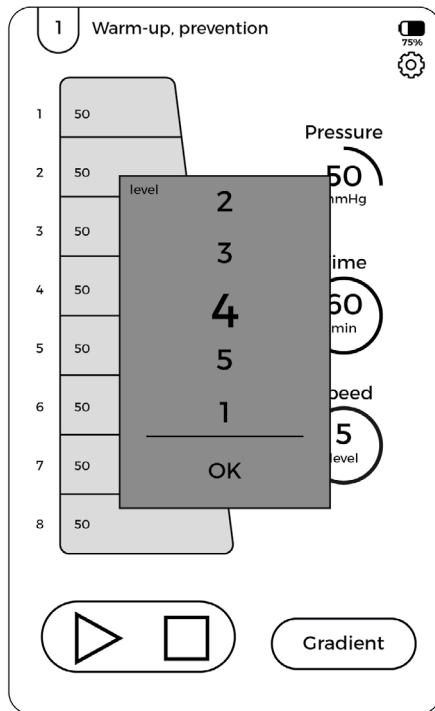
B To set the speed of filling the chambers, press the circular area with a number in it, named **“Speed”**. After clicking on the icon, a scrolling list with a speed range of 1-5 will be displayed on the screen, where „1” means the lowest speed and „5” means the highest speed.

Once the required value of the speed is highlighted, confirm it by pressing “OK” button.

A

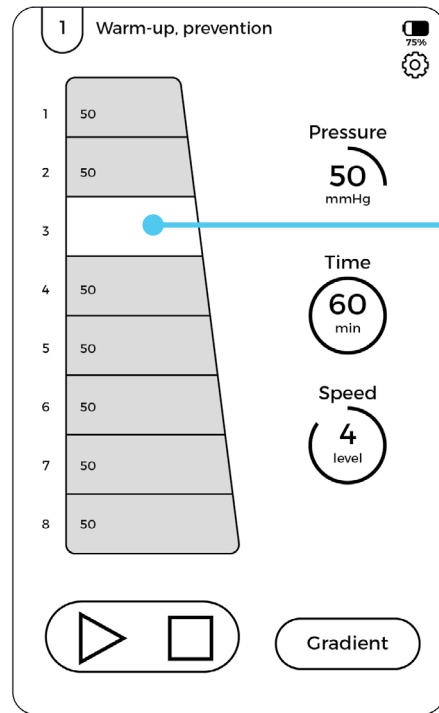
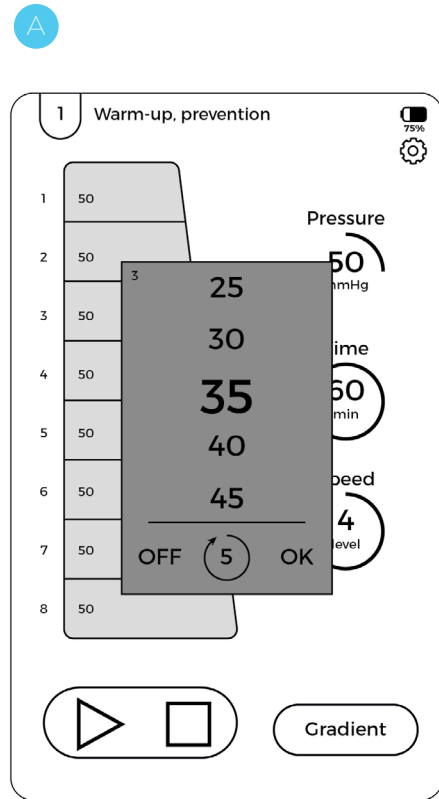


B

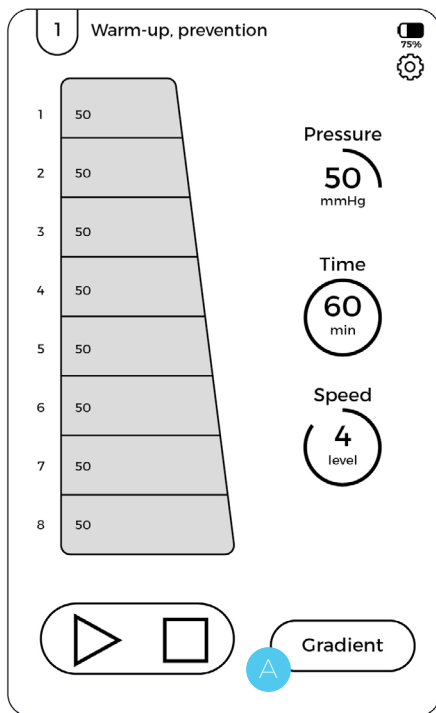


5.7. Particular chamber selection

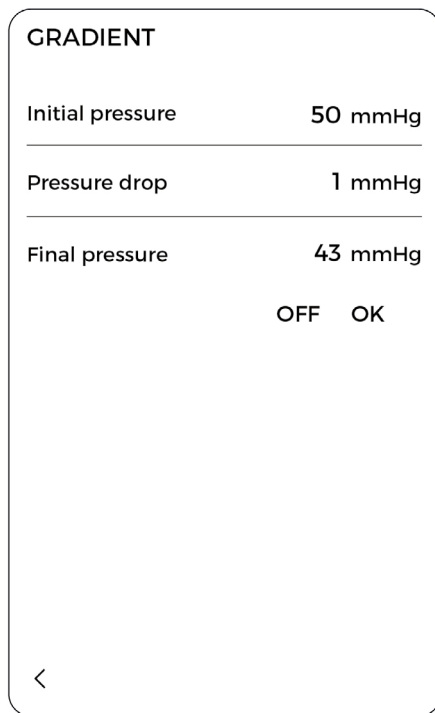
The user of the device can freely configure the number of air-filling chambers. Each chamber can be turned off and each can be set to the same or lower pressure value than the pressure in the previous chamber.



- A To modify the pressure value for a particular chamber, press the corresponding area in the graphic representation of the cuff on the left side of the screen. A scrolling list with pressure values in mmHg will be displayed on the screen. Once the required value of the pressure is highlighted, confirm it by pressing “OK” button. If you want to turn off a particular chamber, press “OFF” located in the lower left corner of the frame.
- When the selected chamber is turned off, the corresponding field in the cuff graphic image is no longer highlighted.



B



5.8. Pressure gradient

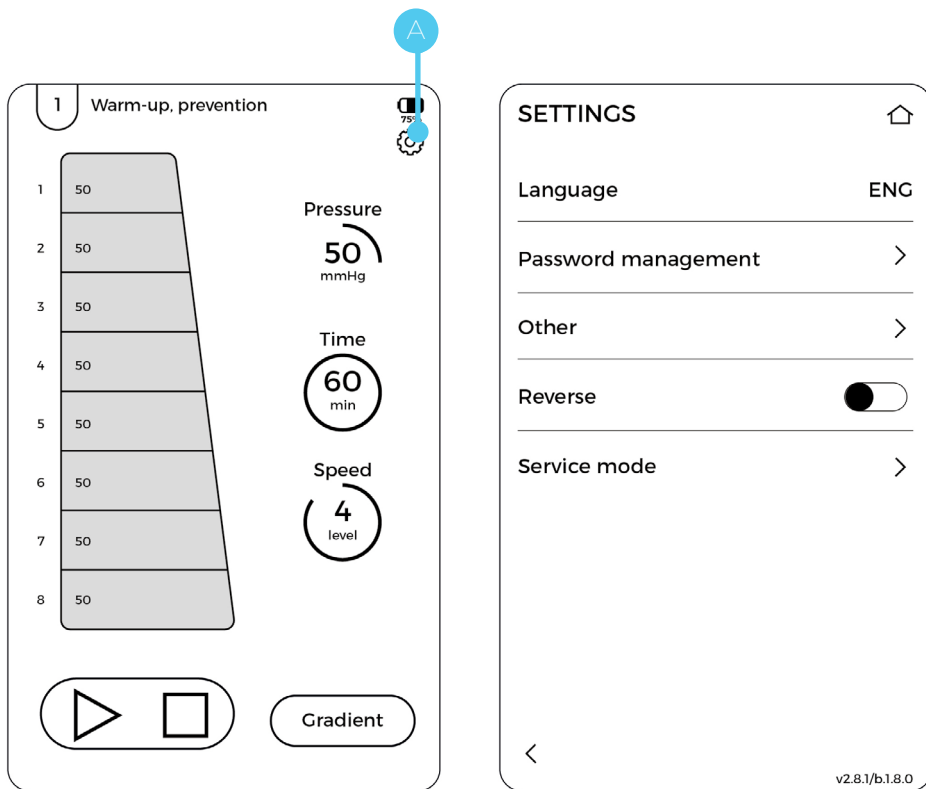
According to the methodology of lymphatic drainage massage, the pressure value in each subsequent chamber should be lower than the value in the preceding chamber. CarePump series of devices has „gradient” function **A**, which allows the user to precisely set the pressure drop in the subsequent chambers. To activate this function, select it from the main screen. Then the gradient settings menu will be displayed **B**.

The initial pressure is the pressure value in the first air-inflating chamber.

The pressure drop is the value by which the pressure in the chambers will drop gradually, starting from the value set in “initial pressure”, up to the value specified in “final pressure”. The pressure drop can be set in the pressure unit: mmHg or as a percentage value. It can be selected by switching between “mmHg” and the symbol “%” in the parameter “pressure drop”.

Final pressure is the pressure value that will be obtained in the last chamber filled with air.

The selected gradient settings can be confirmed by pressing “OK” button. To turn the gradient off, press the “OFF” button.



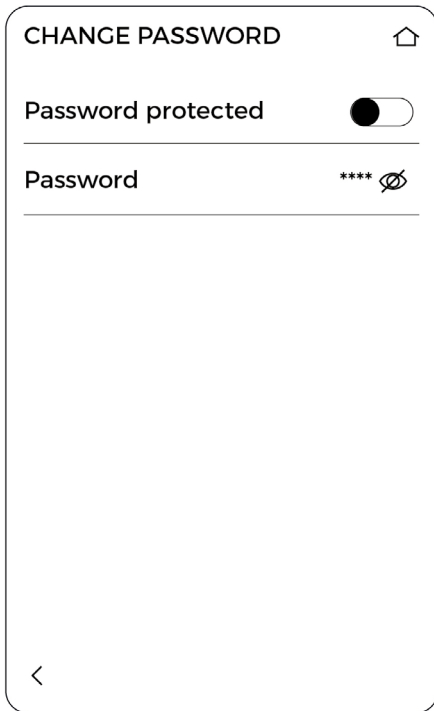
5.9. Settings

To configure the settings, use the gear icon in the upper right corner of the screen **A**.

The settings menu allows you to select the language, change the password, manage the end of therapy, view of the entry screen, colour scheme, activate the reverse mode and access the service menu.

Language – this option allows you to select the language of the messages displayed on the device screen. To select the appropriate language, press “language” and select the desired option from the list. The active language will be marked with symbol „✓”.





Password management – clicking on this option will activate a menu that allows you to protect the device with a password.

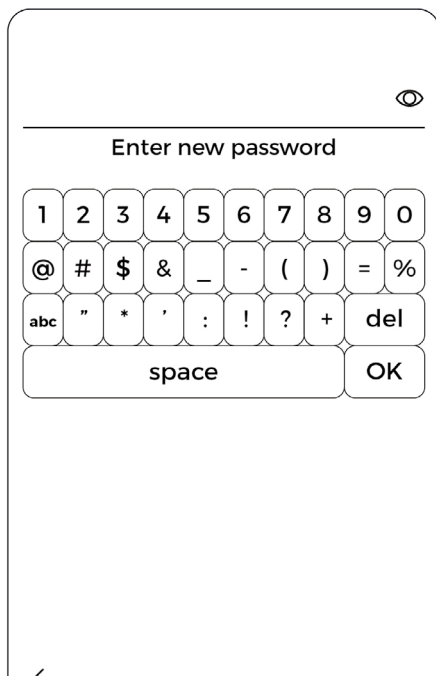
To activate the password, click the option **“password protected”** in the slider on the right.

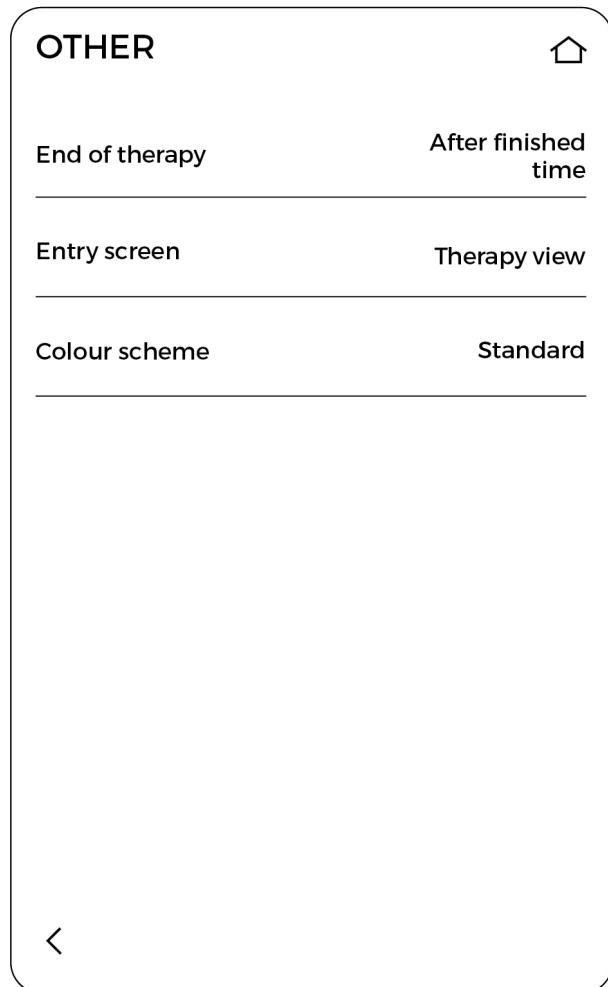
To set or enter a new password, click on the option **“password”**. Then, the keyboard will appear, allowing you to enter a new password, which should be confirmed by pressing “OK” button.

To check the current password, click on the icon with **“crossed eye”** next to the asterisks, symbolizing the password.

The manufacturer recommends saving the password in a safe place, inaccessible for unauthorized persons.

If you set a password, each time you turn on the device, a keyboard will appear on the screen allowing you to enter the previously set password.





Other – folder containing additional functions that allow you to adjust the device interface to your own needs.

- ▶ **End of therapy** – function that allows you to choose whether the treatment should end after the treatment time or after the end of the full cycle.
- ▶ **Entry screen** – function that allows you to select whether after starting the device the home screen will be the main screen or a list of available programs.
- ▶ **Colour scheme** – function that allows you to change the standard color to high contrast, which makes it easier to operate the device, especially for the visually impaired.

Reverse – option that allows setting the inflating of the chambers in the opposite direction (from the last chamber to the first one). When this option is activated, any selected work mode will inflate that way.

Service mode – option protected with a password, available only for authorized service personnel.

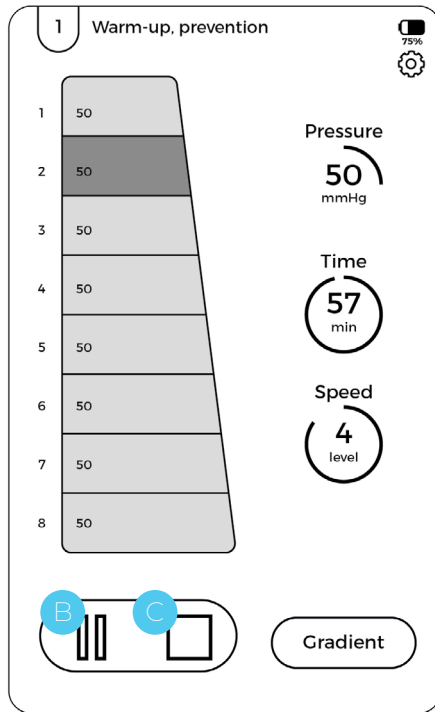
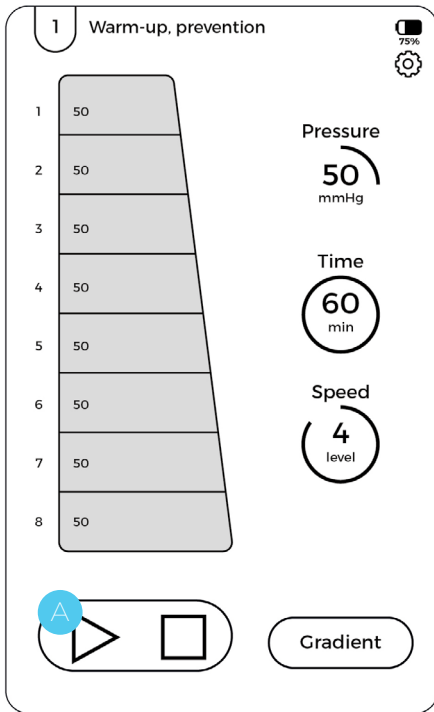
To return to the main menu, click on **“home”** button in the upper right corner or **“<”** icon in the lower left corner.

5.10. How to start/pause/stop the treatment

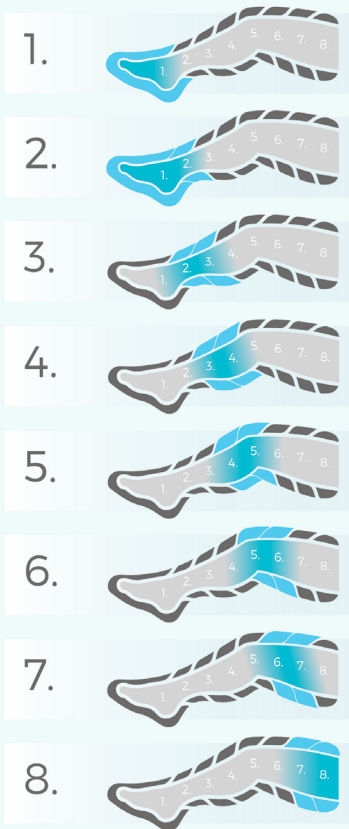
After setting the parameters, you can start the treatment. To do so, press the **“play”** **A** icon in the lower left corner of the display. After pressing it, the treatment will start and this will be shown by the blinking chamber on the graphic image of the cuff and the elapsing time.

To temporarily stop the treatment, press the **“pause”** icon **B**. The treatment will stop and the treatment time will be paused. The treatment can be resumed by pressing the icon “play” again.

To permanently stop the treatment, press the icon **“stop”** **C**. When treatment is completely stopped, the unit will return to its pre-treatment settings and the air will be pumped out of the cuffs.



warm-up, prevention



Gradient	0 mmHg
Time	60 min.
Hold	2 s
Interval	2 s

5.11. Provided programs

CarePump series of devices has a list of provided programs dedicated to regeneration, relaxation, prevention etc. A detailed description of provided programs is presented below.

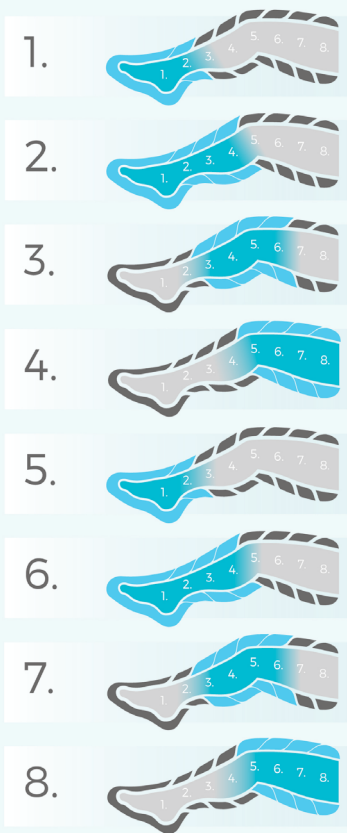
1. WARM-UP, PREVENTION

The course of the treatment:

Single ascending wave. The chambers inflate one at a time. As the third chamber is pumping, the second preceding chamber deflates, while the middle one keeps the pressure. The sequence is repeated for the consecutive pumped chambers. Always one chamber keeps the pressure.

- ▶ Time: 60 min.
- ▶ Speed: 5
- ▶ Interval: 2 s
- ▶ Hold: 2 s
- ▶ Gradient: 0 mmHg

regeneration, wellness



Gradient	4 mmHg
Time	45 min.
Hold	2 s
Interval	2 s

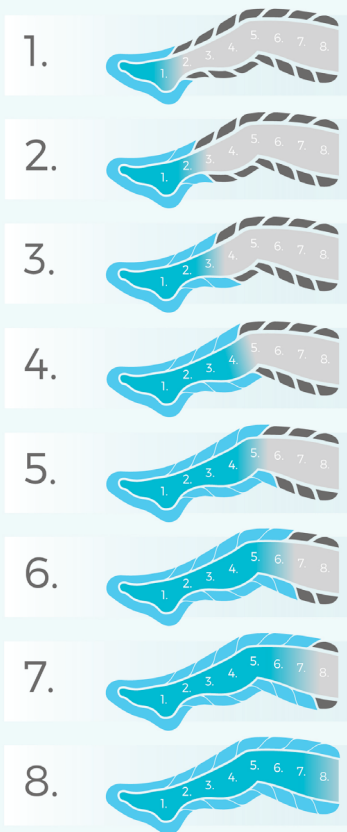
2. REGENERATION, WELLNESS

The course of the treatment:

Double ascending wave. Simultaneous inflation of two consecutive chambers, while keeping the pressure in the two previously inflated chambers. Always two chambers keep the pressure.

- ▶ Time: 45 min.
- ▶ Speed: 5
- ▶ Interval: 2 s
- ▶ Hold: 2 s
- ▶ Gradient: 4 mmHg

post-injury therapy



Gradient	4 mmHg
Time	30 min.
Hold	2 s
Interval	2 s

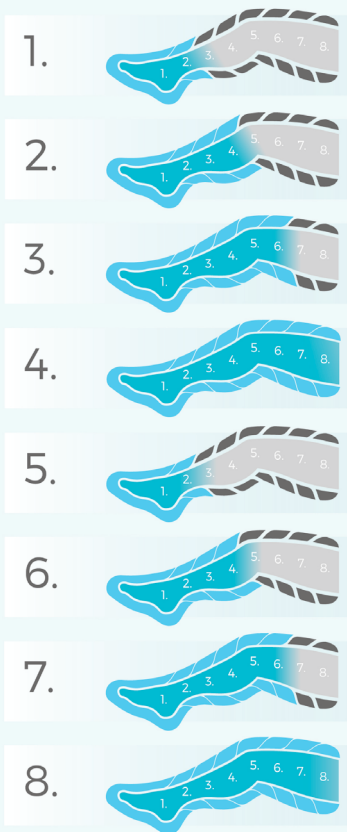
3. POST-INJURY THERAPY

The course of the treatment:

Single filling of consecutive chambers while keeping the pressure in the previously inflated chambers.

- ▶ Time: 30 min.
- ▶ Speed: 5
- ▶ Interval: 2 s
- ▶ Hold: 2 s
- ▶ Gradient: 4 mmHg

oedema therapy



Gradient	1 mmHg
Time	50 min.
Hold	3 s
Interval	3 s

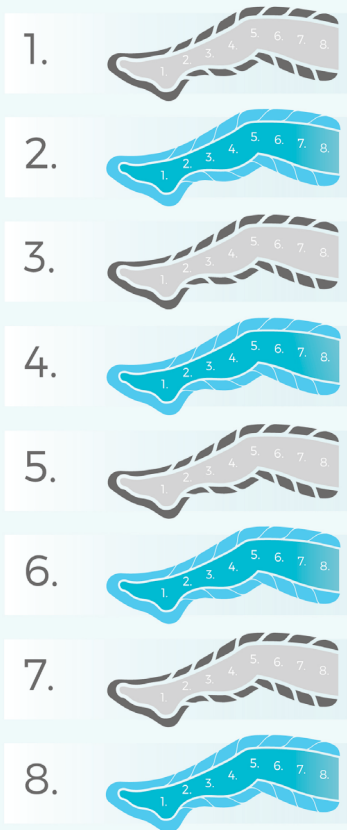
4. OEDEMA THERAPY

The course of the treatment:

Single filling of consecutive chambers while keeping the pressure in the previously inflated chambers.

- ▶ Time: 50 min.
- ▶ Speed: 5
- ▶ Interval: 3 s
- ▶ Hold: 3 s
- ▶ Gradient: 1 mmHg

all-chamber massage



Gradient	0 mmHg
Time	30 min.
Hold	2 s
Interval	3 s

5. ALL-CHAMBER MASSAGE

The course of the treatment:

All chambers inflate simultaneously and keep the pressure, performing a global massage.

- ▶ Time: 30 min.
- ▶ Speed: 5
- ▶ Interval: 3 s
- ▶ Hold: 2 s
- ▶ Gradient: 0 mmHg

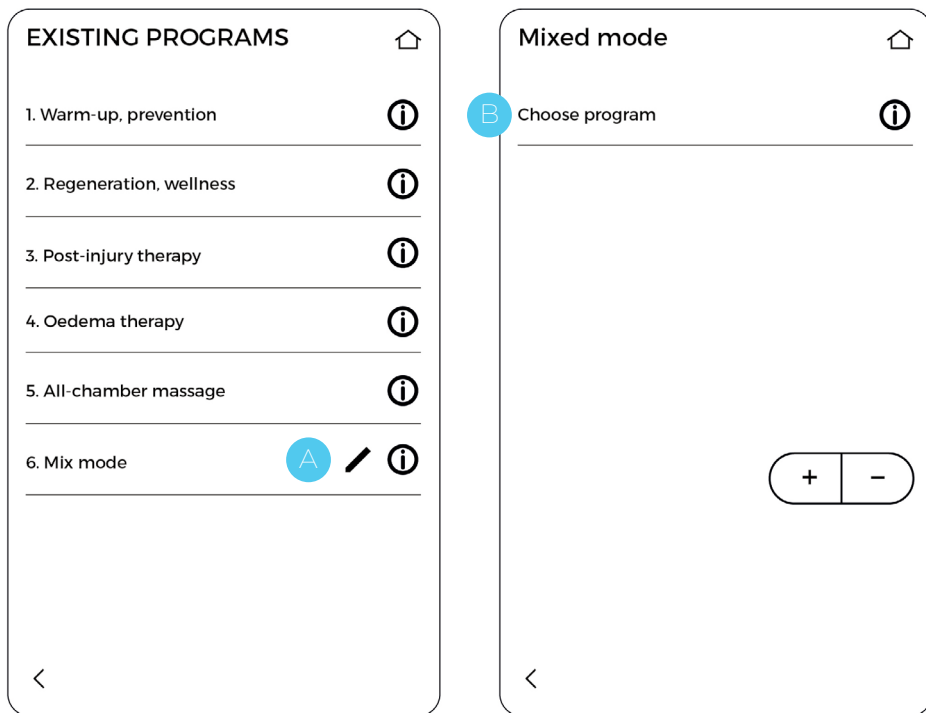
mixed mode

Possibility of combining any therapeutic pre-programs and selecting the number of repetitions for each of them.

6. MIXED MODE

The course of the treatment:

Possibility of combining any therapeutic pre-programs and selecting the number of repetitions for each of them.



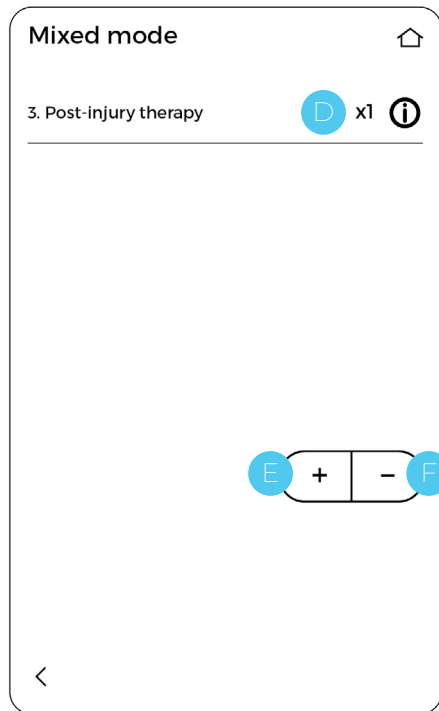
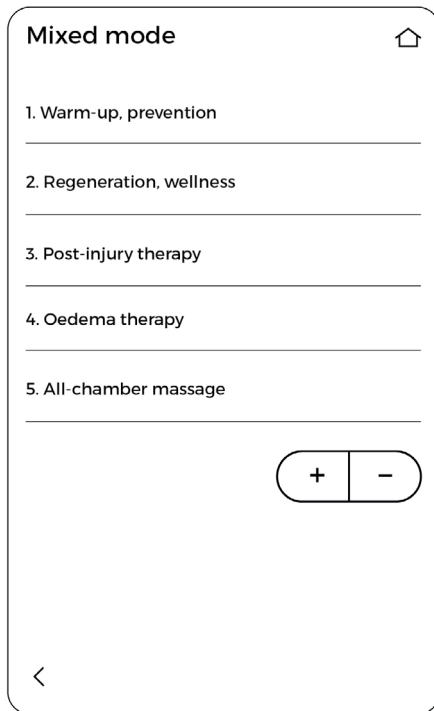
5.12. Mixed mode

One of the operating modes in CarePump mobile devices is the “Mixed mode”, which allows you to combine any programs available in the device during one treatment.

To set the sequences that make up its course, click the “Program” on the main screen of the device, and then – in the existing programs section – the icon of „**stylus**” **A** next to the name “Mixed mode”.

Then, you should choose programs that will consist of mixed message mode. In order to do it, click „**Choose program**” **B**. The screen with available treatment programs will appear in turn.

C



Select one by clicking on its name **C**.

The name of the selected program will be displayed on the mixed mode screen. For each of the added steps, you can set the number of repetitions by clicking on the „x1” area **D**. The number of repetitions can be from 1 to 5. The exception is the “all-chamber massage” program, which can be performed only once.

To add a program that will be executed next, click on the „+” **E** and repeat all the previous steps. For a mixed mode, it is possible to set up to 150 steps that make up its course.

To remove a program added to the sequence, click „-” **F**.

After setting the course of the mixed mode, you can perform the treatment by selecting it from the list of existing programs.

6. Technical parameters

Number of chambers	8
Max. pressure [mmHg]	220
Number of proprietary therapeutic pre-programs	6
Smart gradient¹ function	(mmHg, %, final pressure)
Precise regulation of pressure and time	in steps of 1, 5 or 10
Setting of individual pressure in each chamber	included
Number of independent channels	1
Adjustment of the speed of the treatment	1-5
Cuffs	overlapping system
Display	7" TN lcd color touch screen
Weight [kg]	2,9
Dimensions [mm]	290x130x130
Power supply	battery 21VDC/1A
Battery capacity	3500 mAh
Estimated battery life from full charge	4 h*
Battery charging time	4 h
Replaceable battery	yes
Warranty	1 year

*test carried out using the "Warm-up, prevention" program and the pressure of 100 mmHg

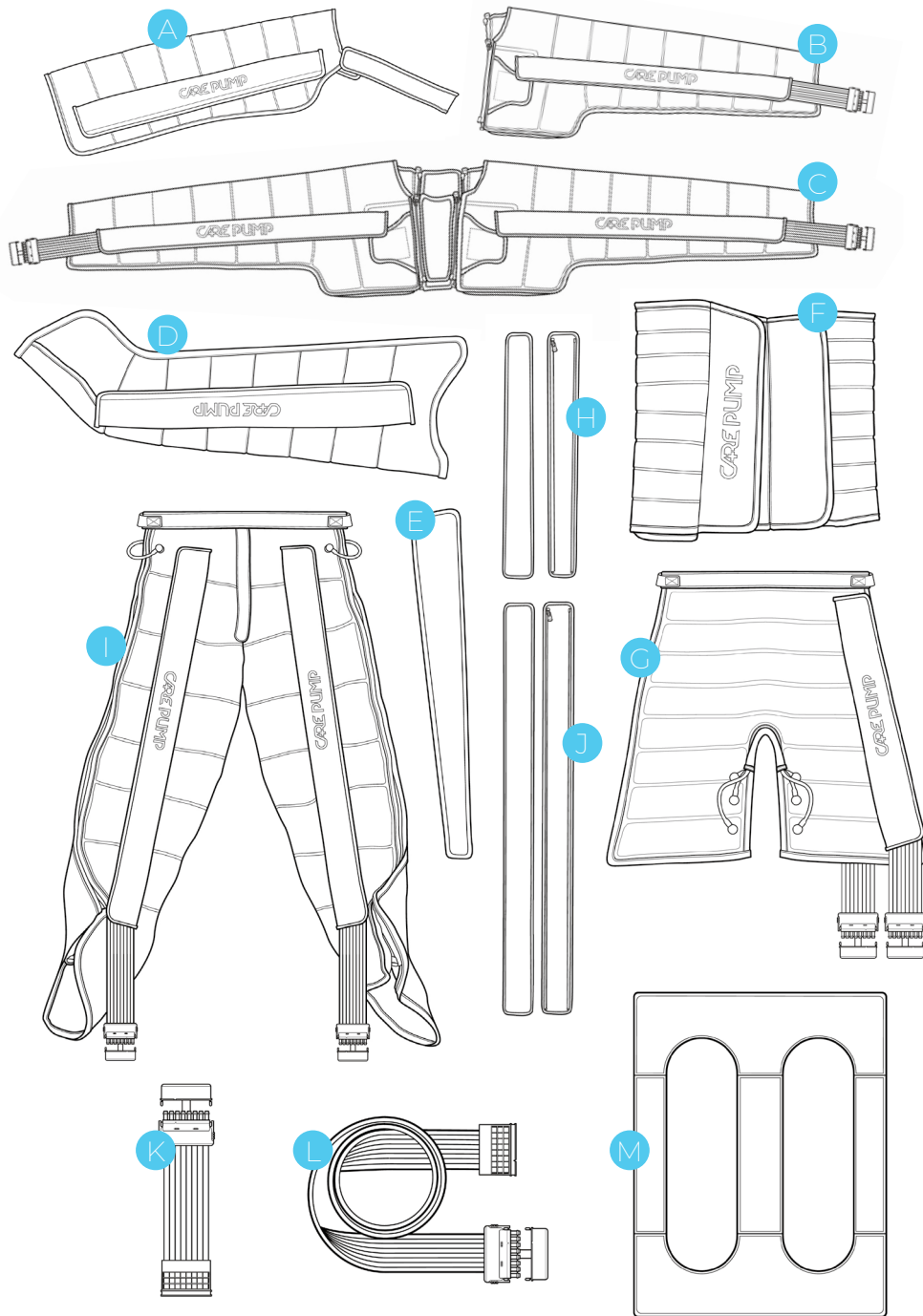
7.

Contents of the package

The basic CarePump Move8 includes:



- A Central unit (device)
- B Power supply
- C Backpack



Additional accessories

The basic CarePump Move8 set can be expanded with the following accessories. Air ducts are provided with the cuffs.

- A arm cuff
- B arm, shoulder and chest cuff
- C double cuff for arms, shoulders and chest with extenders
- D leg cuff
- E leg cuff extension zipper
- F waist cuff
- G short pants
- H short pants extension zippers (2 pcs.)
- I full pants
- J full pants extension zippers (2 pcs.)
- K double splitter for simultaneous connection of two cuffs to the device
- L long double splitter (1,5 m)
- M pressotherapy wedge for legs

9.

Warnings

Before starting work with the device, it is obligatory to read the manual and follow all the recommendations.

Making technical changes to the device or using it in a manner inconsistent with the manual may result in the loss of warranty and in case of the need for intervention by an authorized service, may result in treating it as a commercial service.

The device must be used as described in this manual and with original components. Otherwise, the device may break down or the user may be injured.

10. Troubleshooting

In case of a failure, we recommend you to perform a few simple steps before contacting the service. This will eliminate the situation in which the device will not be damaged or it will be easier to receive help from an authorized service center.

PROBLEM	CHECK
Device turns on and there is a pumping sound, but the cuff does not inflate.	Check if there is any leakage in the air duct or cuff or if they are properly connected. Attach another cuff and air duct from the set in different configurations to identify the damaged component. If the problem persists after connecting other accessories, contact an authorized service center or the manufacturer.
The touch screen works incorrectly or it does not work at all.	Turn off the device. Clean the front panel with a cloth and optical cleaning fluid to remove any dirt. If the problem persists after performing the above steps, contact an authorized service center or the manufacturer.
The device does not turn on.	Connect dedicated power supply to the device, wait 30 minutes and press the power button. Check that its button is highlighted in blue. If the problem persists after performing the above steps, contact an authorized service center or the manufacturer.

11. Maintenance and storage

- ▶ If the device is used as intended, the machine does not require any special maintenance.
- ▶ Try to keep the cuffs clean and regularly wipe the main screen of the device.
- ▶ In case of a failure, first perform the actions described in the previous section.
- ▶ The device should be regularly checked by an authorized service, preferably every 12 months.
- ▶ If you experience any failure with your machine or its accessories, or if you notice a device malfunction, contact the distributor or the manufacturer immediately.
- ▶ In case of any disturbance in the operation of the device, its damage or suspicion of damage, stop using it immediately.
- ▶ Under no circumstances should a damaged device be started. All repairs and maintenance may be performed only by the manufacturer or an authorized service center. In case of independent repairs, the distributor of the device is not responsible for any damage.



Attention!

Lifetime of the battery depends on the number of charge/discharge cycles. The following procedures help to extend battery lifetime:

- ▶ Charge the battery regularly at least once a month, even if you do not use the device.
- ▶ Pay attention to discharge the battery to at least 15% of its energy capacity before each charging.

Recommendations for transporting the device:

- ▶ CarePump devices do not require any special precautions.
- ▶ It is recommended to store and transport the devices in the packed, original box with foam moldings.
- ▶ It is important not to bent the cables to reduce the risk of damaging them.

Recommended storage conditions for the device:

- ▶ ambient temperature: 0°C–40°C
- ▶ relative humidity: 30–90%
- ▶ pressure: 700–1060 hPa

Device service

In case of a failure, repairs may only be carried out by an authorized service center with personnel trained by the manufacturer. In case of problems with locating the service, please contact the device distributor.

Only an authorized service center is qualified to repair the device. Otherwise, making any changes by an unauthorized entity may result in the loss of warranty.

Cleaning and disinfection

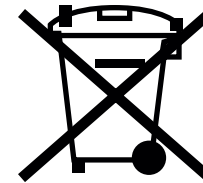
Clean the device from dust and dirt with a soft, linen cloth.

More difficult stains should be washed with a damp sponge with a cleaning liquid based on water and alcohol (20% alcohol).

Do not clean the area of the power input and ventilation holes with a damp cloth. This area should be cleaned with a dry cloth.

12. Utilization

The product is regulated by WEEE, regarding waste segregation, as indicated by the following symbol on the label of the device:



The product should be disposed of only in dedicated places and points for electronic waste and in accordance with the prevailing law in the country where the device was used.

Declaration of Conformity EU21

We

Bardomed Sp. z o.o
ul. Konecznego 6/66
Postal-code: 31-216 Kraków
<https://www.bardomed.pl>



under own responsibility hereby declare that the following product(s):

Type of equipment: massage device

Type designation/models: Carepump Move4,
 Carepump Move6,
 Carepump Move8,
 Carepump Move8PRO.
 Carepump Compact 4,
 Carepump Expert 8,
 Carepump Lite 4,
 Carepump Lite 6.

are in conformity with the provisions of the following EC directives:

EC Electromagnetic Compatibility (EMC) Directive 2014/30/EU

EC Low Voltage Directive (LVD) 2014/35/EU

EC RoHS 2011/65/UE

and that the technical standards referenced below have

been applied:

**PN-EN 61000-4-2:2011, PN-EN 61000-4-3:2021, PN-EN 61000-4-4:2013-05,
PN-EN 61000-4-5:2014-10/A1:2018-01, PN-EN 61000-4-6:2014-10, PN-EN 61000-4-8:2010,
PN-EN 61000-4-11:2020-11, PN-EN 61000-3-2:2019-04, PN-EN 61000-3-3:2013-10,
PN-EN 55011:2016-05/A1:2017-06
PN-EN 60335-1:2012+A11:2014-10+A13:2017-11+A1:2019-10+AA:2019-11
PN-EN 60335-2-32:2009+A2:2015-03
PN-EN 63000:2019-01**

Kraków, 2023-02-01

Bartosz Frydrych
President

Manufacturer



BardoMed Sp. z o.o.
ul. Konecznego 6/66
31-216 Kraków
NIP: 945217693